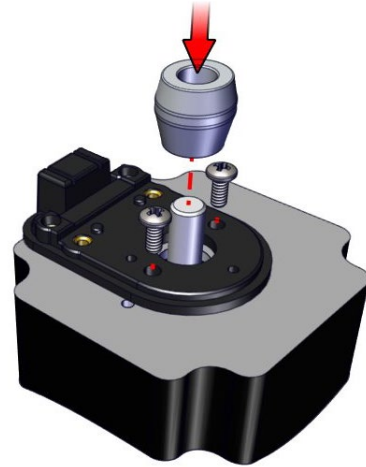


E5 Assembly Instructions

Step 1:

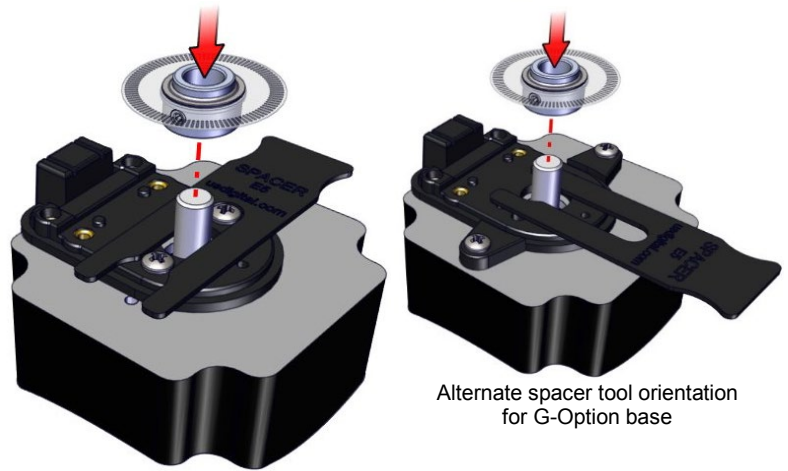
Place encoder base onto mounting surface. Slip centering tool over the shaft and into the center hole of the base. While holding pressure on the centering tool, tighten mounting screws. Remove centering tool.



Step 2:

Place spacer tool around shaft. Slip hubdisk assembly onto shaft and slide down until it bottoms out against spacer tool.

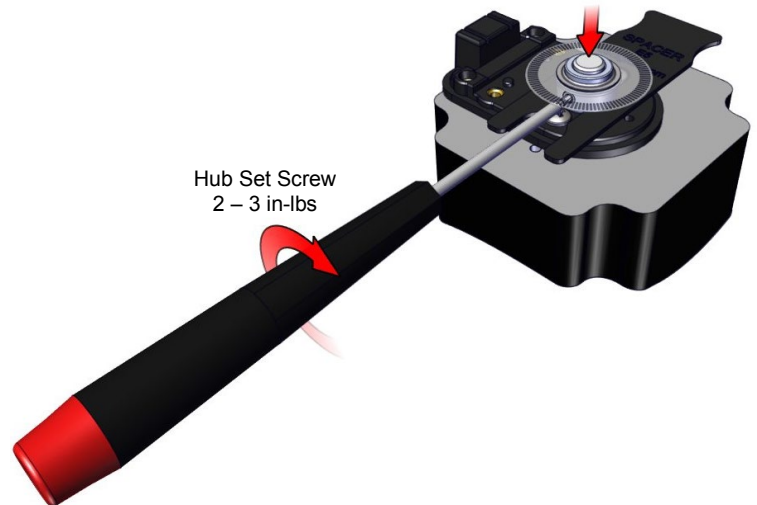
Note: Alternate spacer orientations may be required depending on base/mounting configuration.



Alternate spacer tool orientation for G-Option base

Step 3:

Tighten set screw with provided hex wrench while pressing down on hub. Remove spacer tool.



Hub Set Screw
2 – 3 in-lbs



support@usdigital.com ▪ www.usdigital.com

Local: 360.260.2468 ▪ Sales: 800.736.0194

Support: 360.397.9999 ▪ Fax: 360.260.2469

1400 NE 136th Ave. ▪ Vancouver, Washington ▪ 98684 ▪ USA

10.0
Page 1

E5 Assembly Instructions

Step 4:

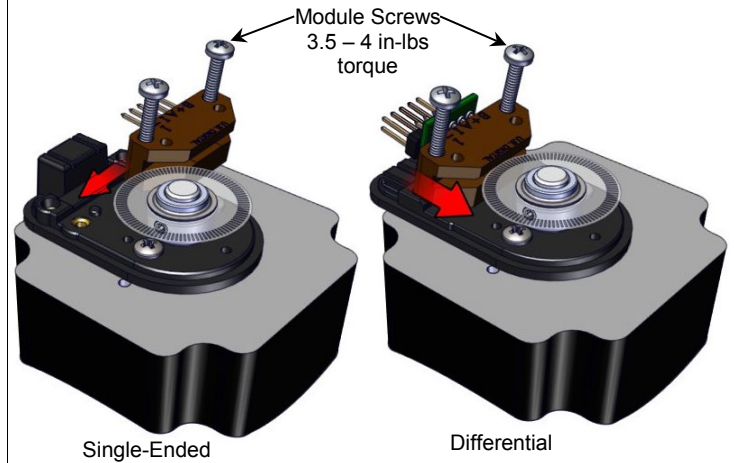
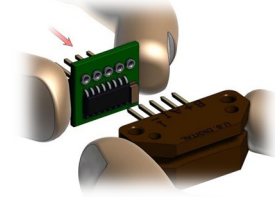
Slip optical module into position until the two alignment pins slip into holes of module (thick side of module towards bottom). Secure with two 4-40 x 1/2" screws (supplied).

Differential version only:

Press line driver onto module pins until it reaches the end of its motion.

Caution!

To avoid injury make sure that the line driver is held properly (as shown) during installation, module pins are sharp!

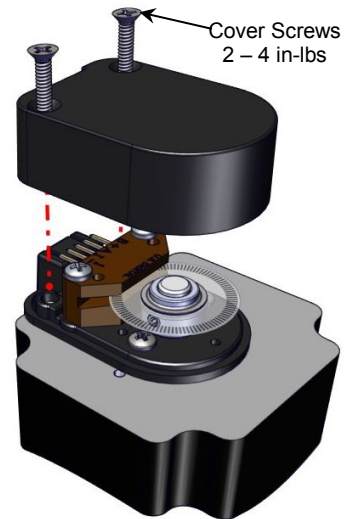


Single-Ended

Differential

Step 5:

Place cover over assembly and secure with two 4-40 x 5/8" flat head screws (supplied).



support@usdigital.com ▪ www.usdigital.com

Local: 360.260.2468 ▪ Sales: 800.736.0194

Support: 360.397.9999 ▪ Fax: 360.260.2469

1400 NE 136th Ave. ▪ Vancouver, Washington ▪ 98684 ▪ USA

10.0
Page 2