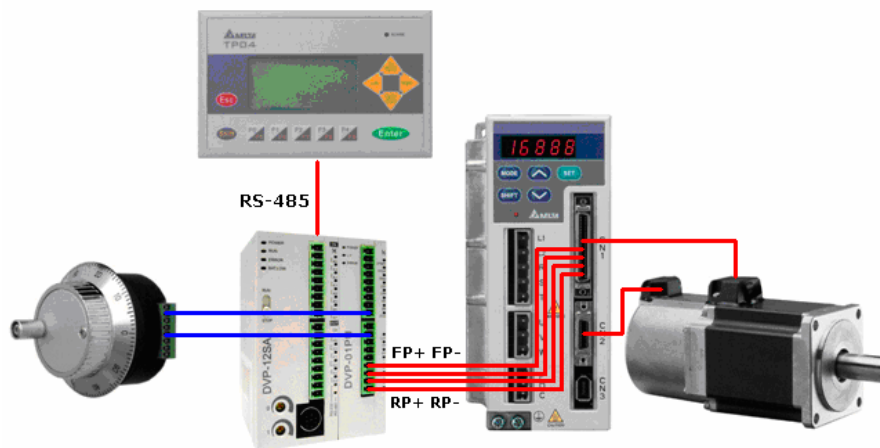


Case	Application of Delta's DVP01PU-S Position Control PLC Module				
Issued by	Solution Center	Date	Apr. 2009	Page	3
Applicable to	DVP01PU-S, TP series text panel, ASDA series AC servo motor and drive				

DVP01PU-S is mainly applicable to the speed or position control of step or servo drive systems. With a PLC, 8 axes can be connected at the same time with maximum 200kPPS pulse output and many built-in control modes. The user can read or write the data in DVP01PU-S by FROM/TO instruction by using the program in DVP-SS/SA/SX/SC series PLC main processing unit for conducting a position control. DVP01PU-S is suitable for equipment requiring higher motion reaction.

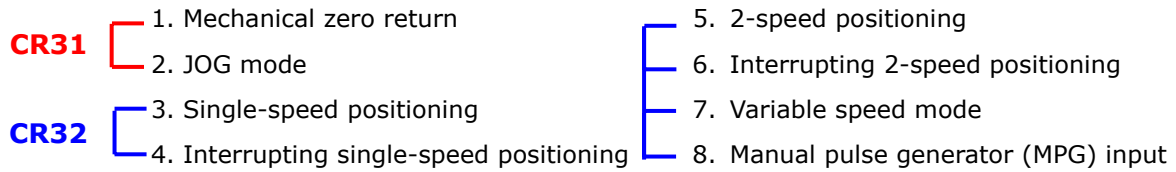
The System Connection



■ Features of DVP01PU-S

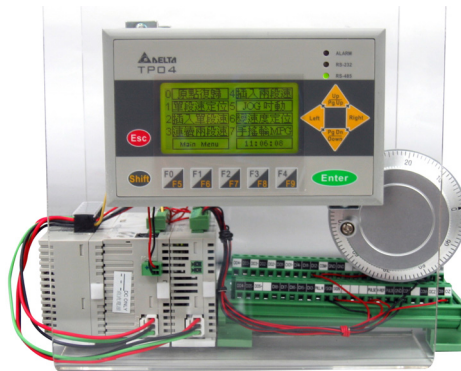
- (1) 8 position control modes available
- (2) Built-in 32-bit MPU
- (3) Supports Modbus communication
- (4) RS-485 interface & communication settings available
- (5) Max. 200kHz pulse input/output
- (6) Reaction time: 20 ~ 30ms
- (7) Hardware/software control available
- (8) Supports A/B phase pulse input/output

- There are 8 position control modes in DVP01PU-S:

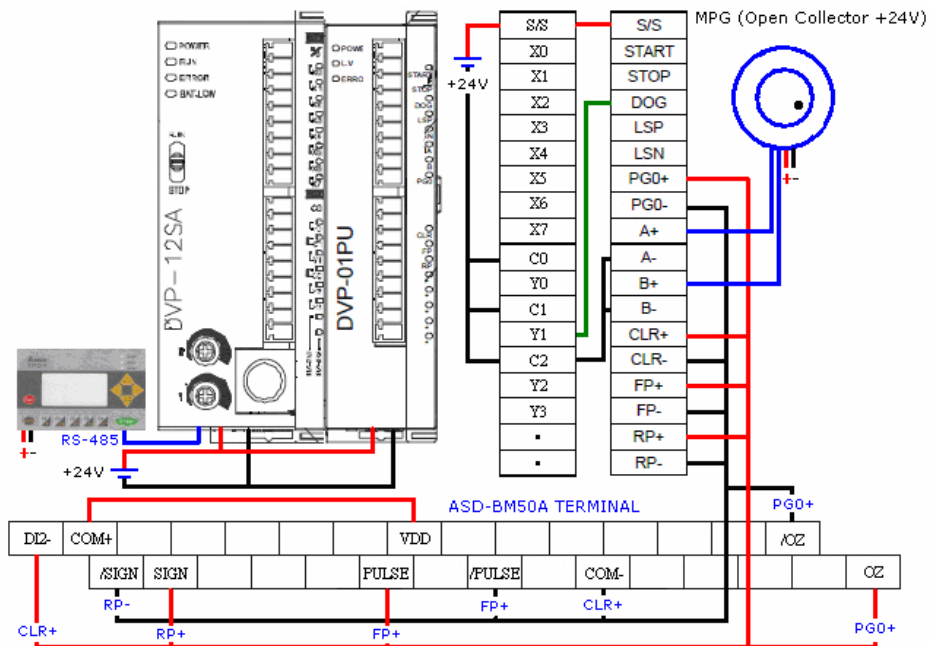


- DVP01PU-S provides 3 pulse output methods: Pulse/Dir, FP(CW)/RP(CCW), A/B phase
- Applicable instructions: FROM/TO (See "DVP-PLC Application Manual: Programming". Download it at http://www.delta.com.tw/ch/product/em/download/download_main.asp?act=3&pid=3&cid=1&tpid=1)
- Principles & techniques for the application:
 - When using FROM/TO instructions to set up parameters and modes, avoid using M1000 as the condition contact.
 - When using FROM/TO instructions, use FROMP/TOP instead of FROM/TO.
 - Avoid unnecessary use of FROM/TO instructions.
 - ◆ **The 3 program design principles greatly shorten the scan time.**
 - Send the control signals directly to the terminals on DVP01PU-S.
 - Use optical sensor to transmit control signals.
 - ◆ **The 2 techniques greatly boost the response time.**

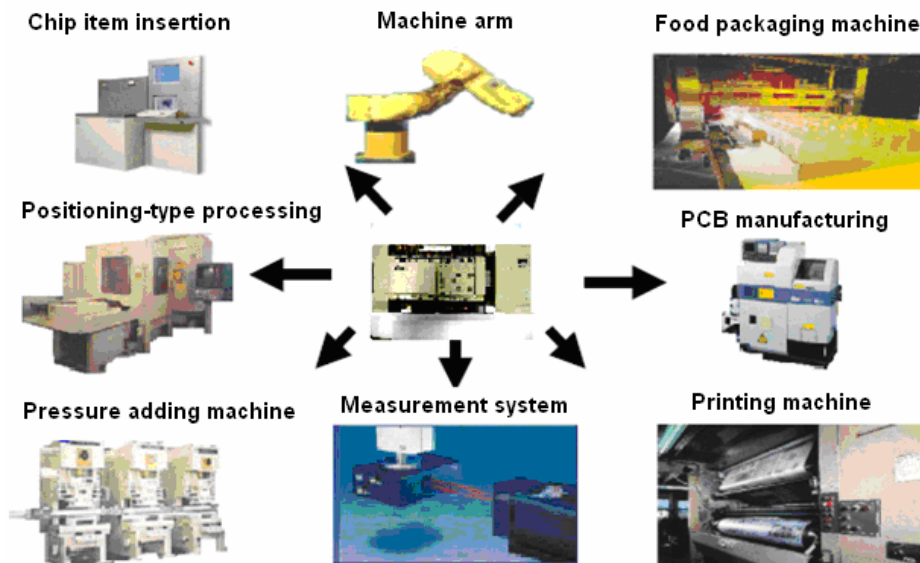
DVP01PU-S Demo Kit



Wiring of Demo Kit



DVP01PU-S can be applied in equipment adopting single axis or many axes. See below applications:



Download relevant technical documents of DVP01PU-S at our website:

http://www.delta.com.tw/product/em/download/download_main.asp?act=3&pid=3&cid=1&tpid=1

品質至上
信賴第一
追求卓越

QUALITY
RELIABILITY
EXCELLENT