

E. Electrical Modules

TD—Electrical Module

No Manual exists for this electrical module. A drawing is attached.

For additional information, please refer to our catalog or contact our Sales department. We will be glad to assist you.

How to Reach Us

Sale, Service and Information about ATI products:

ATI Industrial Automation

1031 Goodworth Drive

Apex, NC 27539 USA

www.ati-ia.com

Tel: 919.772.0115

Fax: 919.772.8259

E-mail: info@ati-ia.com

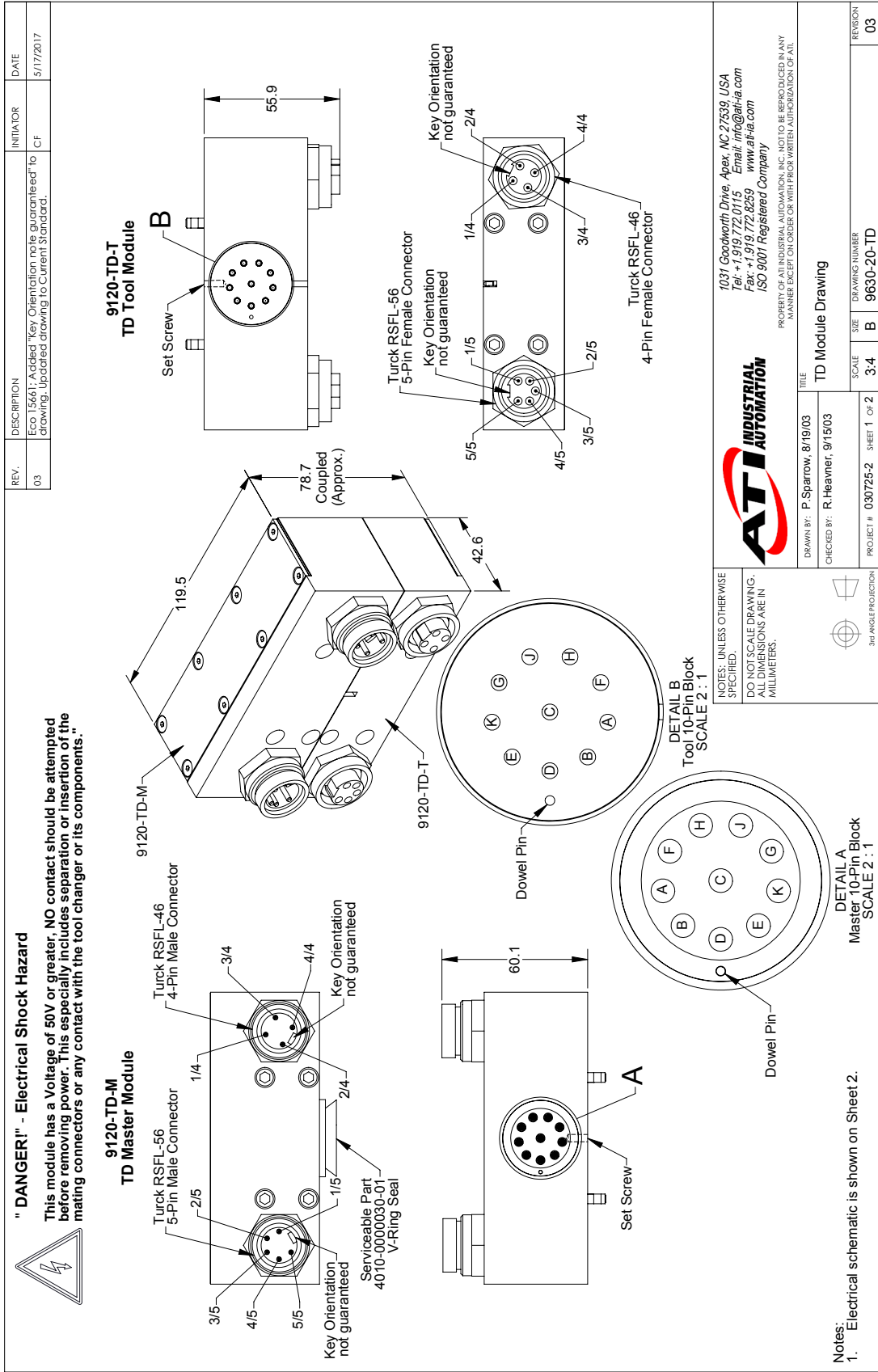
Technical support and questions:

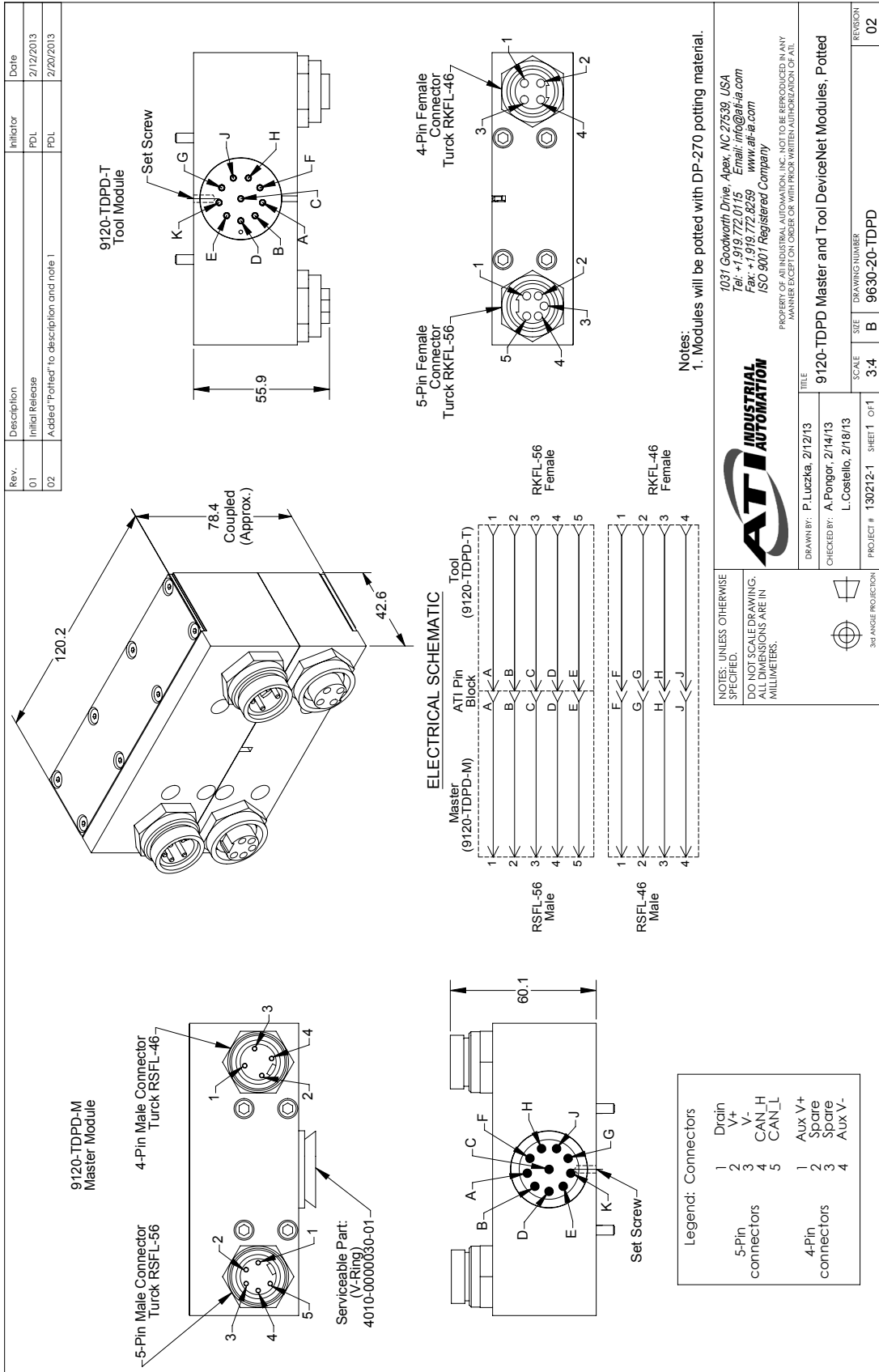
Application Engineering

Tel: 919.772.0115, Option 2, Option 2

Fax: 919.772.8259

E-mail: mech_support@ati-ia.com





Rev.	Description	Initiator	Date
01	Initial Release	PDL	2/12/2013
02	Added "potted" to description and note 1	PDL	2/20/2013

ATI INDUSTRIAL AUTOMATION

1031 Goodworth Drive, Apex, NC 27539, USA
 Tel: +1 919.772.0115 Email: info@ati-ia.com
 Fax: +1 919.772.8259 www.ati-ia.com
 ISO 9001 Registered Company

PROPERTY OF ATI INDUSTRIAL AUTOMATION, INC. ALL RIGHTS RESERVED. IN ANY MANNER EXCEPT ON ORDER OR WITH PRIOR WRITTEN AUTHORIZATION OF ATI.

9120-TDPD Master and Tool DeviceNet Modules, Potted

DRAWN BY: P. Luczka, 2/12/13
 CHECKED BY: A. Pongor, 2/14/13
 L. Costello, 2/18/13

PROJECT # 130212-1 SHEET 1 OF 1

SCALE 3:4

DRAWING NUMBER 9630-20-TDPP

REVISION 02