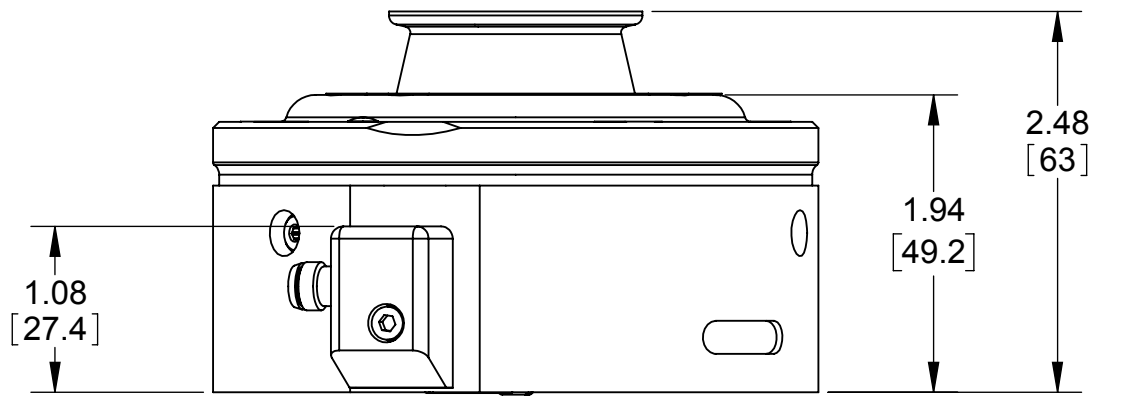
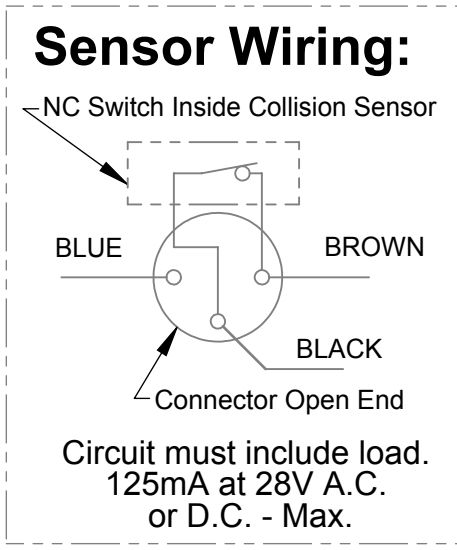
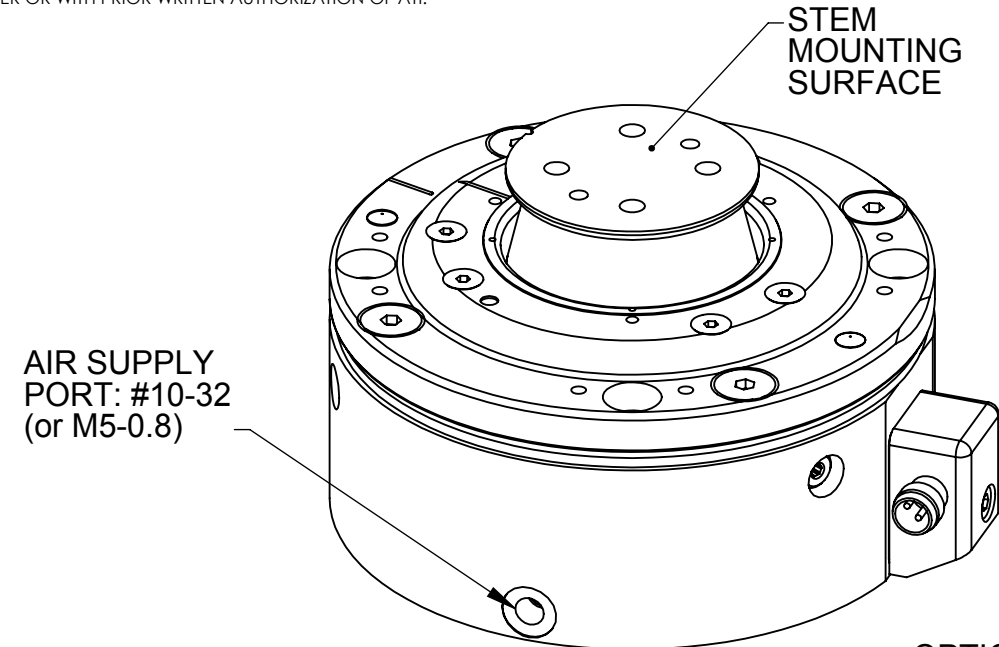
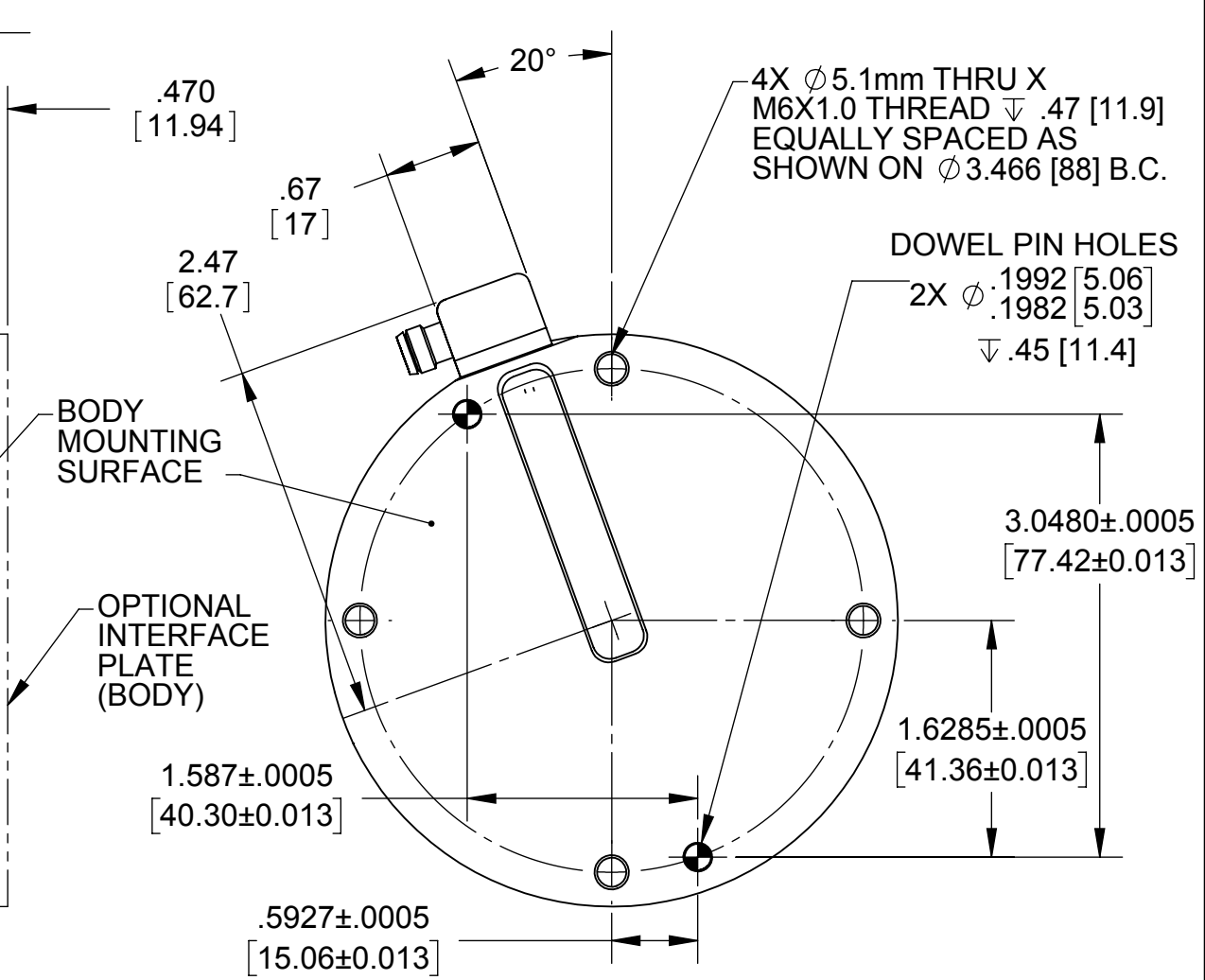
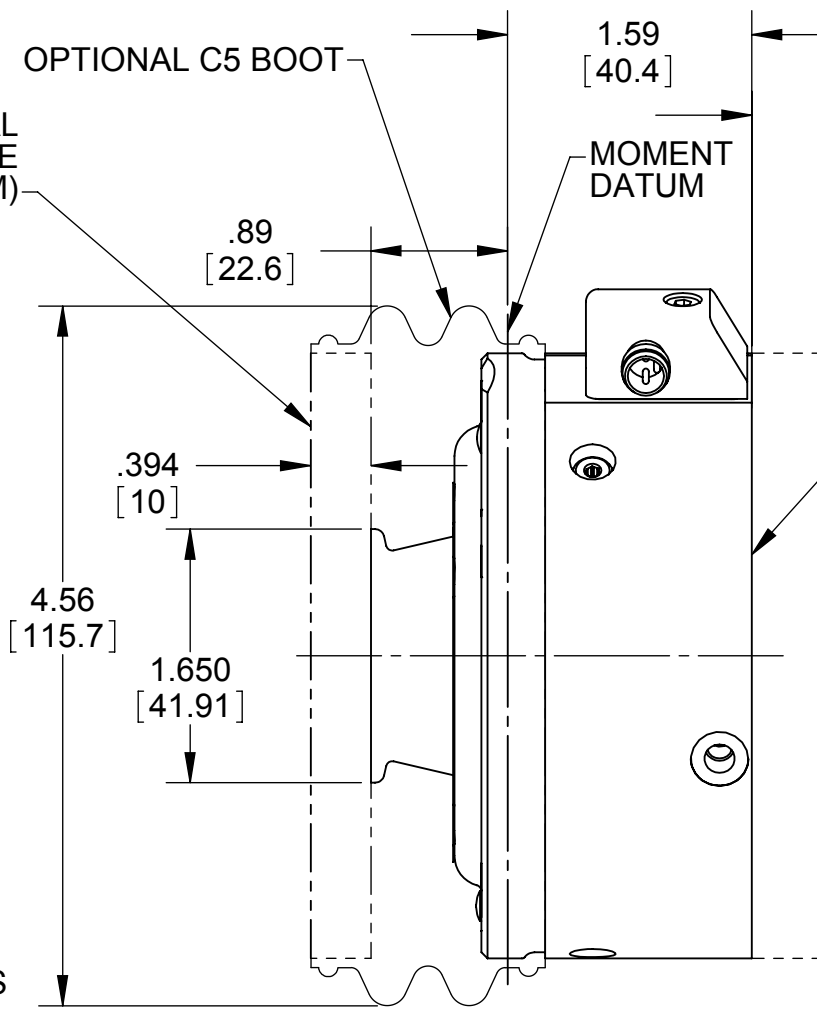
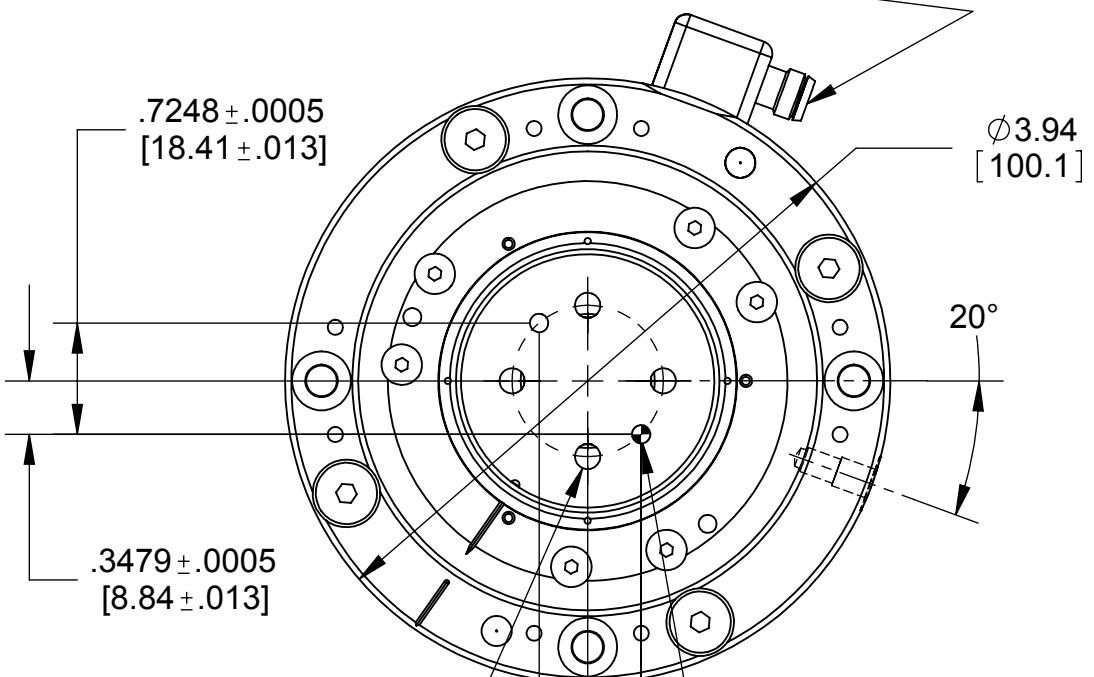


Rev.	Description	Initiator	Date
12	ECO 16303: Changed 3700-60-1246 to 3700-60-1725 in assembly model. Changed 3500-1964010-15 to 3700-60-1923 in assembly model.	TBC	2/16/2018



3 POLE "NANO" CONNECTOR (MATES WITH SNAP PLUG OR THREADED COUPLER PLUG)



4X M5-.8 THRD ∇ .39 [9.9] EQUALLY SPACED AS SHOWN ON Ø .984 [25.0] B.C.

DOWEL PIN HOLES  
2X Ø .1204 [3.058] ∇ .25 [6.4]  
Ø .1194 [3.033]

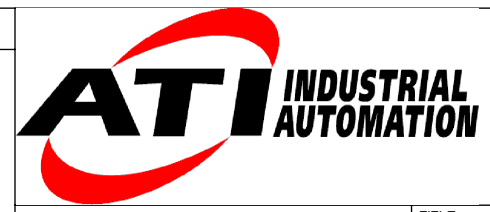
.3479 ± .0005 [8.84 ± .013]

.6642 ± .0005 [16.87 ± .013]

NOTES: UNLESS OTHERWISE SPECIFIED  
DO NOT SCALE DRAWING. DRAWN IN SOLIDWORKS  
DEBURR AND BREAK ALL SHARP EDGES .015  
ALL DIMENSION ARE IN INCHES  
ALL DIMENSIONS ARE AFTER ANODIZING  
PLUG ALL DOWEL HOLES AND TAPPED HOLES M4  
AND SMALLER BEFORE ANODIZING  
SURFACE FINISH TO BE A MAXIMUM OF 63 Ra

.XXXX DECIMALS ± .001  
.XXX DECIMALS ± .005  
.XX DECIMALS ± .010  
.X DECIMALS ± .025  
ANGLES ± 1/2°

3rd ANGLE PROJECTION



1031 Goodworth Drive, Apex, NC 27539, USA  
Tel: +1.919.772.0115 Email: info@ati-ia.com  
Fax: +1.919.772.8259 www.ati-ia.com  
ISO 9001 Registered Company

DRAWN BY: MLG 7-16-02	TITLE PROTECTOR, SR-101		
CHECKED BY: DAW	SCALE 0.8:1	SIZE B	DRAWING NUMBER 9230-60-1031-12
WEIGHT LBS: --	PRODUCT RELEASE # 010530-1 DATE:		
ASSEMBLY REF:	SHEET 1 OF 1		